



Legatto Aisle

Product Feature

- High bay range with high efficacy up to 140 lm/W for narrow-aisle warehouse
- High uniformity and low glare asymmetrical optics suited for storage racks
- Additional savings when used in variant including a built-in programmable stand-alone PIR and daylight sensor
- Option for wireless Nedap IoT control module offering additional cloud services
- Operating temperature from -40°C up to +60°C
- 0-10V (standard) and DALI driver (optional - mandatory for wireless IoT node)
- Optional micro-prismatic diffuser & reflector for additional comfort and aesthetics
- Convenient installation with options for chain and bracket mounting options
- IP65 and IK10 robust protection from dust, water and vandalism
- Reliable quality, manufacture capability, and global logistics by Delta Group 49-year establishment

Applications

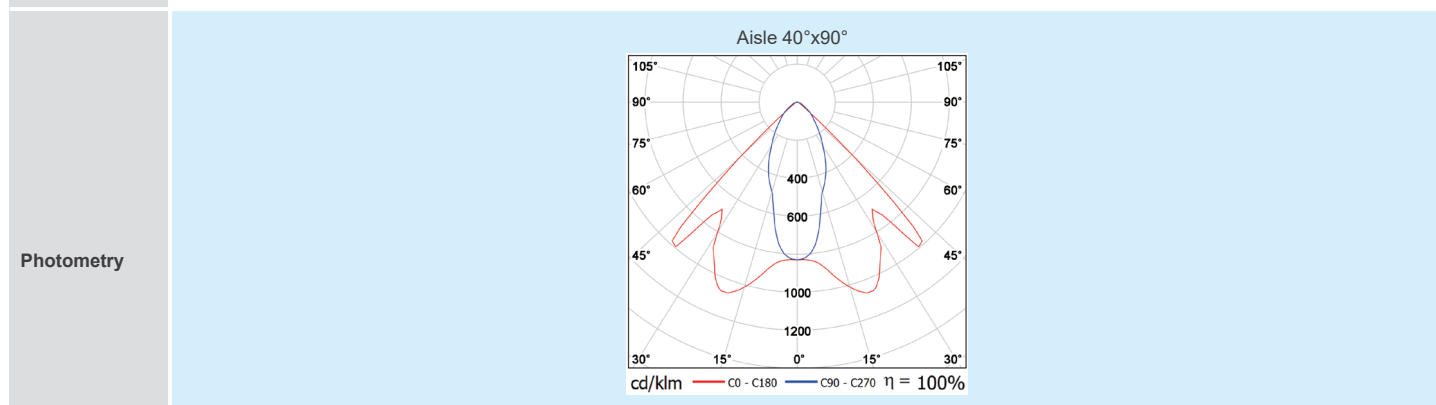
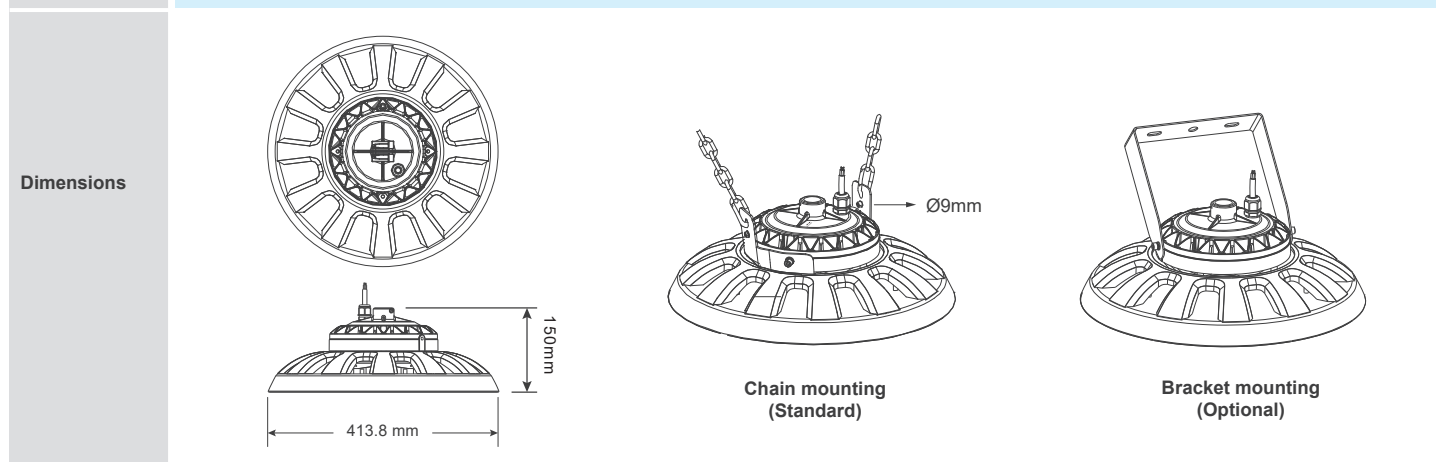


Storage &
Warehouse

www.delta-emea.com

 **DELTA**
Smarter. Greener. Together.

	SBD4FE4A4xE-C	SBD4FG4A4xE-C	SBD4FJ4A4xE-C	SBD4FN4A4xE-C
Lumen Output	18,900 lm	22,900 lm	25,800 lm	28,000 lm
Input Voltage	AC 220-240 V			
Power	135 W	165 W	195 W	210 W
Efficacy (lm/W)	140	139	132	133
CRI	≥ Ra 80			
CCT	4,000 K (Other CCT Available: 5,000K)			
Power Factor	≥ 0.9			
UGR	17.2 / 21.7	17.8 / 22.3	18.3 / 22.8	18.5 / 23.0
Operating Temperature	-40°C / +60°C			-40°C / +50°C
	Thermal foldback feature reduces lumen output for temperatures above Ta Max / Max temperature using built-in sensor or wireless IoT node is +45°C			
Lifetime	>100,000 hrs L80/B10 at Ta 25°C; >55,000 hrs L80/B10 at Ta max			
Warranty	5 years			
Mounting	Chain mounting (Standard)			
Accessories	U-bracket / Diffuser / Reflector			
Drivers	0-10V or DALI			
Controls	DC Stand-alone PIR and daylight Sensor (0-10V) / Connected Wireless Nedap IoT Node control module (DALI)			
Weight	4.5 kg			



Product parameters in above table are based on aisle optics.

Lumen output in above table is based on 4000K.

UGR based on RSH=0.25.

Product codes and lumen output ranges are subject to change when other CCT applies.

Specifications are subject to change without notice.

2020/04/30

Delta Electronics Europe

Zandsteen 15
2132 MZ Hoofddorp, The Netherlands
TEL: +31-20-655-0900
FAX: +31-20-655-0999

For more product information and sales inquiries, please contact: sleu@deltaww.com

www.delta-emea.com/ledlighting